



**DUX DYNAMIC 19
QUEEN/CAL.KING/152/160/180**



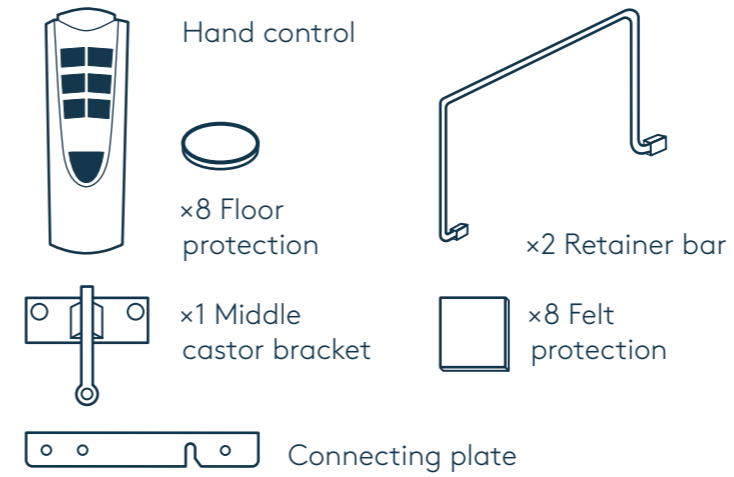
ASSEMBLY INSTRUCTIONS

DUX, DUXIANA and DUX Pascal-systems are registered
trademark owed by Dux Design AB 2012.
Printed 2021.02.01

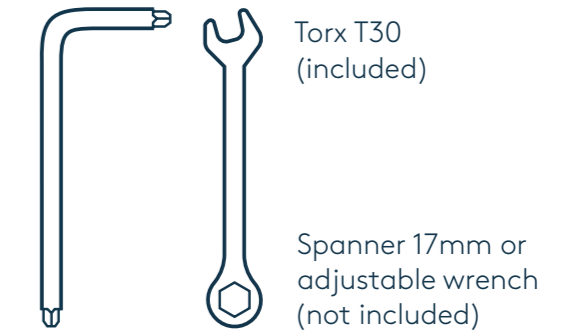
dux.com



HARDWARE



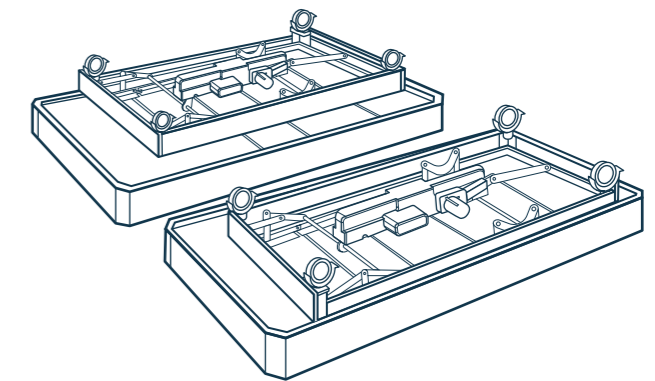
TOOLS NEEDED



ASSEMBLING

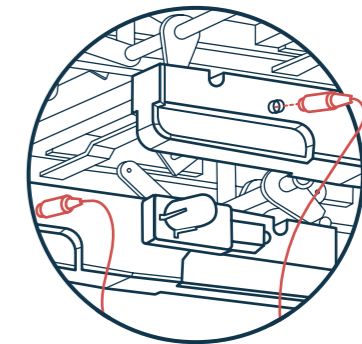
I. PUT THE BEDS UP-SIDE-DOWN

Put the beds up-side-down on the floor like the illustration. The castors are mounted.



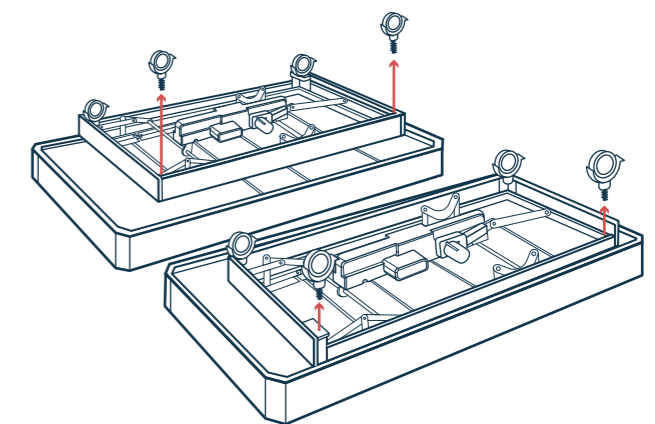
II. CONNECT THE CABLES

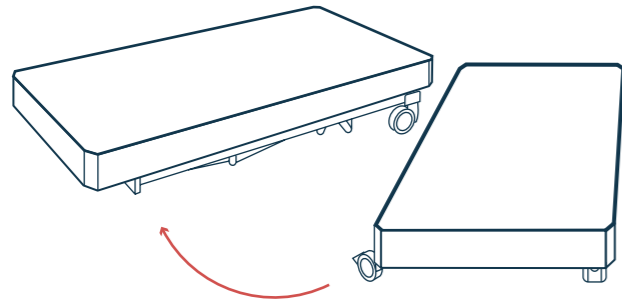
Attach the loose end of the cable to the motor on the other bed base.



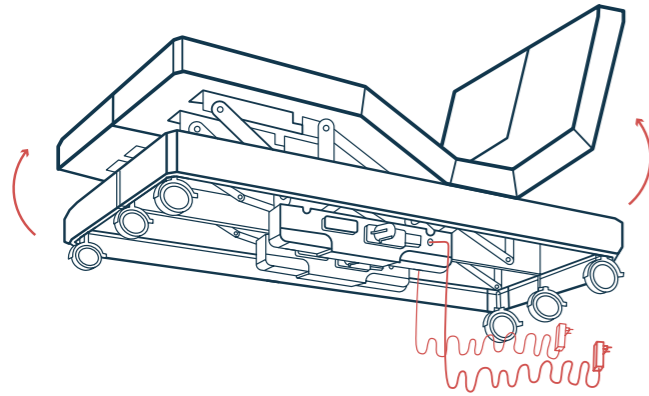
III. CONNECT THE BASES

Connect the bases with the middle castor brackets.

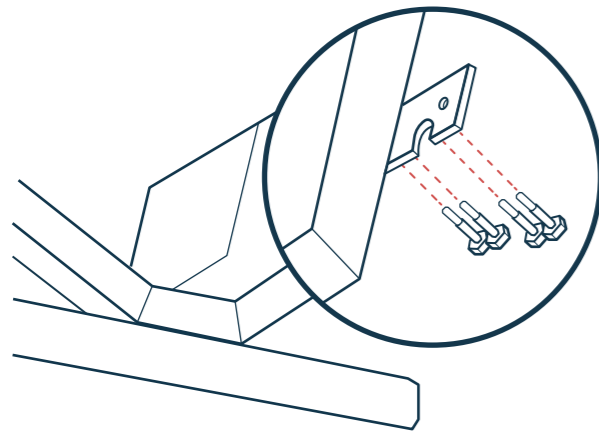




IV. TURN THE BED BASES BACK AROUND AND CLOSE TOGETHER
Place the bed bases close together.



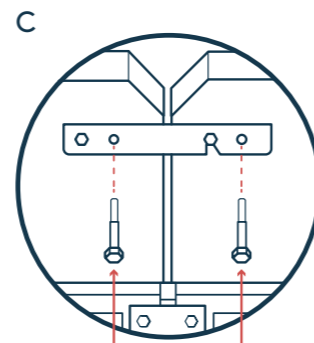
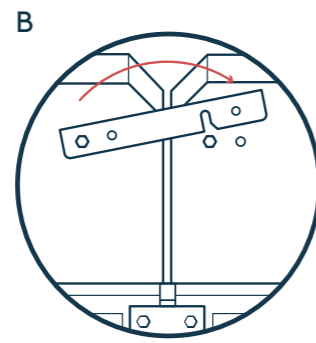
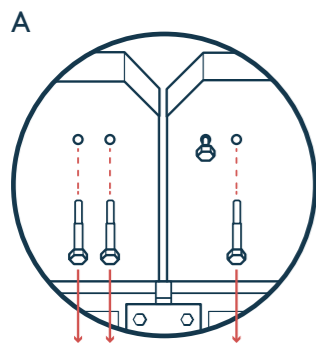
V. RAISE THE HEAD- AND FOOT-END
Plug the motors into the outlets.
Raise the head- and foot-end to the maximum height.



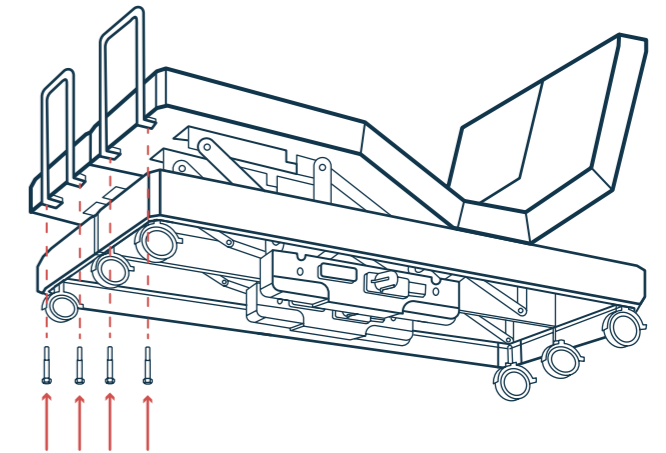
VI. MOUNT THE CONNECTIONPLATES
A At the head-end of the bed, remove 3 of 4 screws leaving the second from the right below.
Loosen the remaining screw so that the connection plate can slide between the bed and the screw.

B Attach the connection plate with the first screw on the left. Rotate the connection plate so the slot goes over the screw.

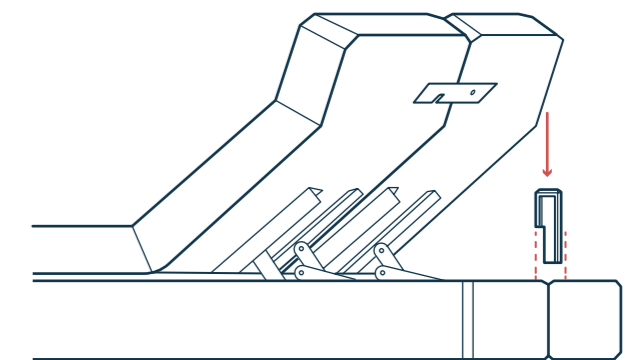
C Add the rest of the screws and tighten. Repeat at the foot-end.



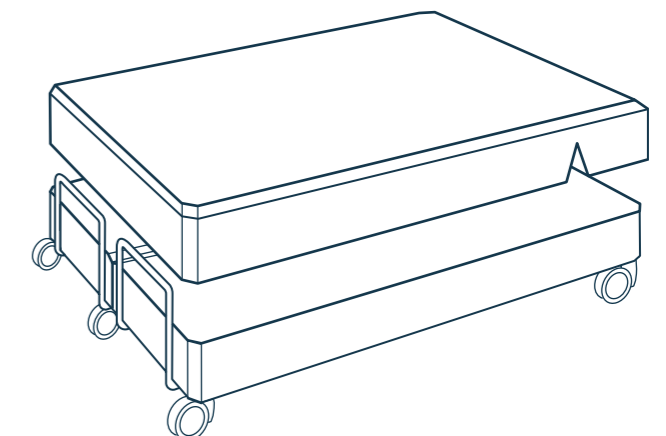
VII. MOUNT THE RETAINER BAR
While the head- and foot-ends are raised, mount the retainer bar.
Remove the screws at the foot-end and use them to fasten the retainer bar to the bed.



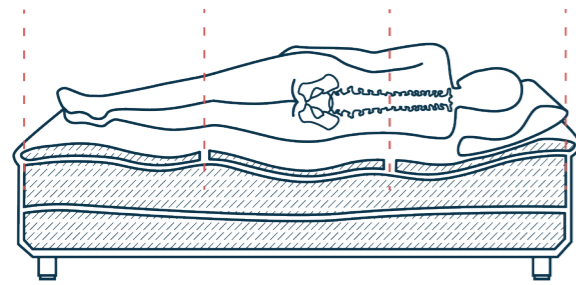
VIII. ADD THE COVER STRIP
Add the cover strip to conceal the split between the two panels at the head- and foot-ends.



IX. LOWER THE BED AND ADD THE SPRINGTOP
Lower the bed to the original flat position and add the springtop with the split at the head-end of the bed.

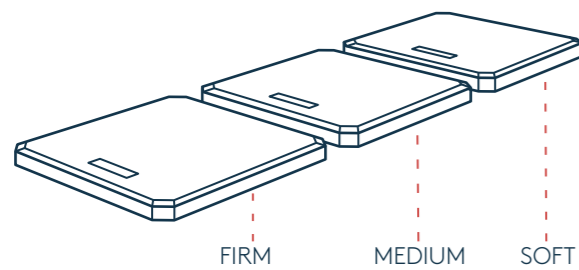


DUX PASCAL-SYSTEM



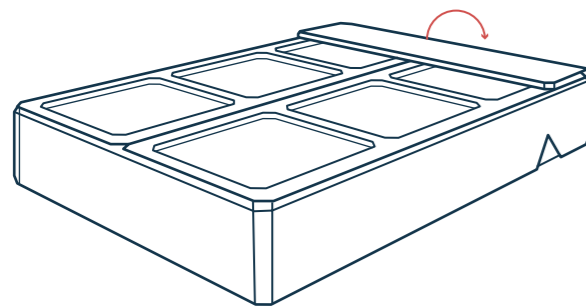
The Pascal System consists of three or six interchangeable spring cassettes of varying densities and tension. Designed to provide three support zones – shoulders, hips, legs – each cassette is selected to match your body size and weight for individually customized comfort.

CONFIGURE PASCAL-SYSTEM

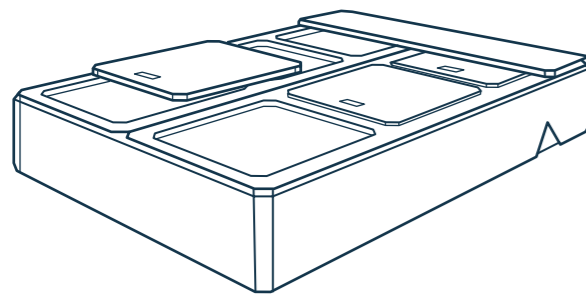


Common configuration is as follows:
SOFT – at the head, allowing your shoulders to sink into the bed.
MEDIUM – in the middle, allowing hips to sink down in the bed.
FIRM – at the foot, allowing some elevation for your legs and feet.

ASSEMBLING

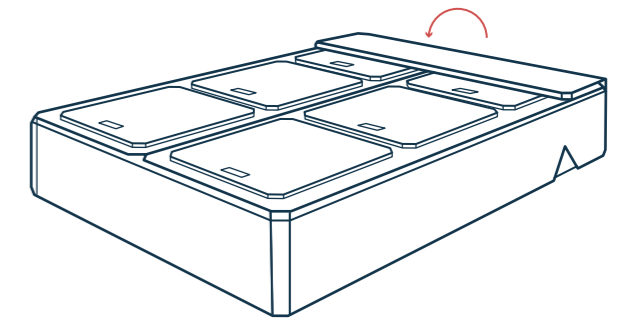


X. OPEN THE BED
 Open the bed and fold the top over.

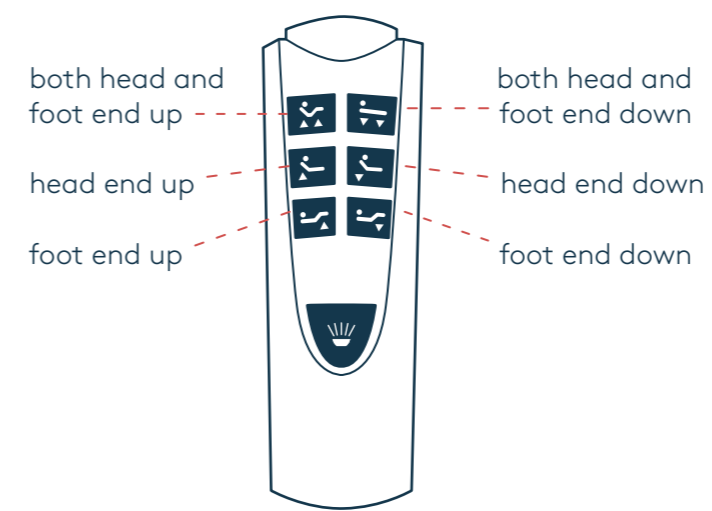


XI. ARRANGE THE CASSETTES
 Arrange the cassettes according to your preference.

XII. FOLD THE TOP BACK OVER
 Fold the top back over and zip the bed closed.



THE HAND CONTROL

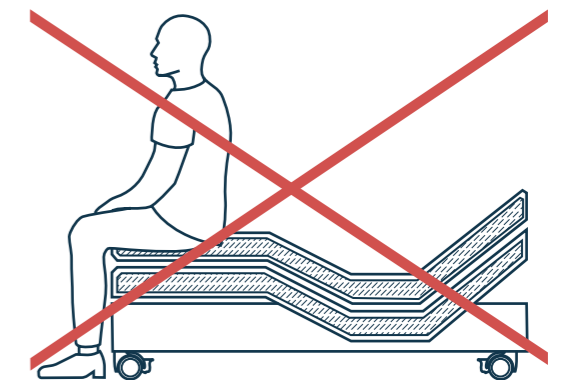


The motor comes with two 9V batteries. The batteries are used to lower the ends to their original flat position in the case of a power failure. (Test batteries often)

NOTE: The bed cannot be raised with only battery power.

CONSUMER CAUTION

Do not sit on the head- or foot-end while adjusting the bed.



TROUBLE SHOOTING

PROBLEM

Lift motors do not work at all.

POSSIBLE CAUSE AND CORRECTION

Power at wall outlet may be out; reset circuit breaker.

Power cord may be unplugged; plug in cord.

Hand control batteries are low; replace batteries.

PROBLEM

Head or foot section will not go all way down.

POSSIBLE CAUSE AND CORRECTION

Head or foot section may have an obstruction.

Move the bed to the up position, then remove the obstruction.

If the problem persists, contact Customer Service.

PROBLEM

Head or foot end will not go up or starts and stops intermittently.

POSSIBLE CAUSE AND CORRECTION

Contact the DUXIANA store or a DUX reseller.

All replacements and service should be performed by a DUX authorized service dealer.